

REPAIR OPTIONS

LONGER LIFE.

MAXIMUM VALUE.



LET'S DO THE WORK.™

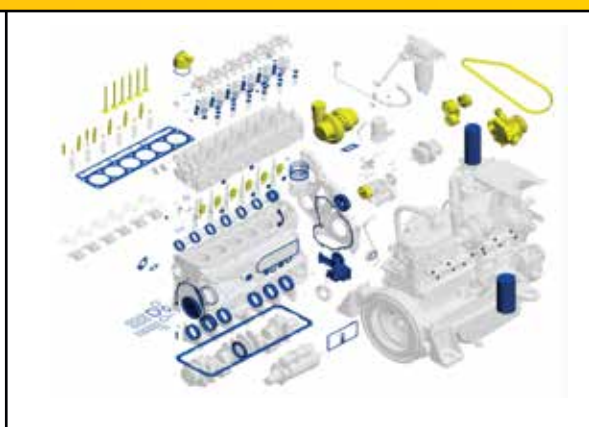
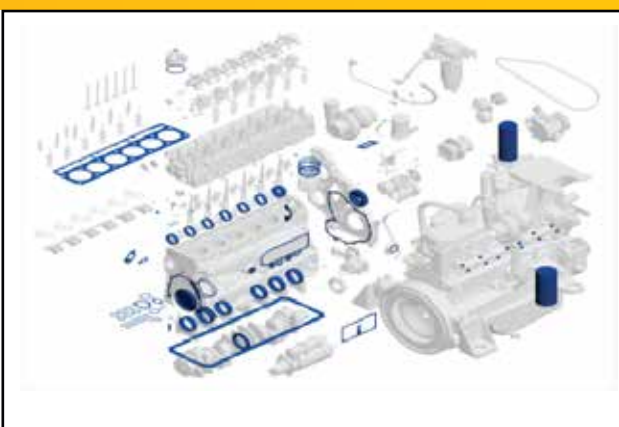
Cat® D9R
DOZER

© 2019Caterpillar.All Rights Reserved.CAT, CATERPILLAR, LET'S DO THE WORK, their respective logos, "Caterpillar Yellow", the "power Edge" and Cat "Modern Hex" trade dress as well as corporate and product identity used herein, are trademarks of Caterpillar and may not be used without permission.

GAINWELL

CAT

Engine Repair Options – 3408



level 1

level 2

level 3

level 4

level 5

Onsite Repair
Resealing & Rebearing

Workshop Repair
Minor Overhaul

Workshop Repair
Major Overhaul

GAINWELL® Exchange

Cat® New Engine

Job Scope:

Job Scope:

Job Scope:

Job Scope:

Job Scope:

- Remove & Install required components as per repair parts list indicated
- Inspect & Repair Cylinder Head
- Inspect & Recondition Water Pump
- Replace Coolant Temp. Sensor
- Replace all Seals, Gaskets, Piston Rings, Connecting rod Bearings & Filters
- Perform PM service
- Inspect Cylinder Head Valves, Valve Springs, Rotocoils, Connecting Rod, Pistons, Piston Cooling Jet, Rocker assy, Push Rod, Lifter & Valve Bridge
- Inspect Turbocharger & Oil Pump
- Check Operation & Pre-delivery inspection

- Level-1 Job scope + Jobs as indicated below
- Disassembly of complete engine
- Remove & Install required components as per repair parts list indicated
- Replace Piston rings, Fuel & Oil line hoses, Fan Belts, Breathers & Oil Pump
- Inspect Cylinder Block, Crankshaft, Camshaft, Cylinder Pack & Piston cooling jet
- Inspect Gear Train, Flywheel, Vibration damper & Exhaust Manifold
- Inspect Fuel Pump, Injectors & Fuel lines
- Inspect Water Pump, Oil Cooler & Cooling lines
- Inspect Fan Drive
- Inspect Wiring Harness & Sensors
- Check Operation on Dynamometre & Pre-delivery inspection

- Level-1 + 2 Job scope & Jobs as indicated below
- Disassembly of complete engine
- Remove & Install required components as per repair parts list indicated
- All multiple-life parts will be inspected & reconditioned (if necessary) according to Caterpillar Reuse & Salvage guidelines
- Repair Cylinder Head, Water Pump, Fan drive
- Fuel Injection Pump, Injectors will be Calibrated or replaced by New/Reman
- Turbo Cartridge will be replaced
- Replace Engine Oil Pump
- Check Operation on Dynamometre & Pre-delivery inspection

- Remove Failed Engine & Install with GAINWELL® Remanufactured Component
- Inspect Failed Engine as per the core acceptance criteria
- Check Operation on the machine

- Remove Failed Engine & Install with CAT® new engine
- Check Operation on the machine

Features and Benefits

Features and Benefits

Features and Benefits

Features and Benefits

Features and Benefits

- Proactive Repair extends life of the engine
- Improves Starting ability & productivity
- Less Oil consumption
- Expert advice & repair
- Warranty valid for replaced parts

- Restores Power & Fuel consumption
- Warranty valid for replaced parts

- Resets the Engine life
- Warranty valid for replaced parts

- Reduced downtime of equipment
- Ex-stock availability
- Warranty valid for 01 Year or 3000 Hrs whichever earlier.

- Reduced downtime of equipment
- Ex-stock availability
- Warranty valid for 01 Year Unlimited Hours.

Package Price

Package Price

Package Price

Package Price

Package Price

--	--	--	--	--

*Terms & conditions apply for each level of repair indicated above | *Pictures illustrated above are for demonstration purpose only | #Applicable on CPT

Transmission Repair Options -D9R

level 1	level 2	level 3	level 4	level 5
Workshop Repair Resealing & Rebearing	Workshop Repair Minor Overhaul	Workshop Repair Major Overhaul	GAINWELL® Exchange	Cat® New Transmission
Job Scope:	Job Scope:	Job Scope:	Job Scope:	Job Scope:
<ul style="list-style-type: none"> Remove the transmission, and output transfer gears Dismantling, Inspection and Health Check Up of all parts, Housing. Replace all Seals, Gaskets, Bushing, Thrust Washer, Antifriction Bearing, Snap Rings. Perform PM service Check Operation & Pre-delivery inspection 	<ul style="list-style-type: none"> Level-1 Job scope + Jobs as indicated below All Friction Disc Will be replaced Clutch Plates will be replaced as per requirement Other multiple-life parts will be inspected & reconditioned (if necessary) Solenoid Valve of Control Valve & Parking Brake will be replaced 	<ul style="list-style-type: none"> Level-1 + 2 Job scope & Jobs as indicated below All Clutch plate will be replaced Charging Pump will be replaced 	<ul style="list-style-type: none"> Remove Failed Transmission & Install with GAINWELL® Remanufactured component Inspect Failed Transmission as per the core acceptance criteria Check Operation on the machine 	<ul style="list-style-type: none"> Remove Failed Transmission & Install with CAT® new Transmission Check Operation on the machine
Features and Benefits	Features and Benefits	Features and Benefits	Features and Benefits	Features and Benefits
<ul style="list-style-type: none"> Proactive Repair extends life of the Transmission Improves in smooth machine operation & productivity Expert advice & repair Warranty valid for replaced parts 	<ul style="list-style-type: none"> Proactive Repair extends life of the Transmission Expert advice & repair Warranty valid for replaced parts 	<ul style="list-style-type: none"> Resets the Transmission life Warranty valid for replaced parts 	<ul style="list-style-type: none"> Reduced downtime of equipment Ex-stock availability Warranty valid for 01 Year or 3000 Hours whichever earlier. 	<ul style="list-style-type: none"> Reduced downtime of equipment Ex-stock availability Warranty valid for 01 Year & Unlimited Hours.
Package Price	Package Price	Package Price	Package Price	Package Price

*Terms & conditions apply for each level of repair indicated above | *Pictures illustrated above are for demonstration purpose only | #Applicable on CPT

About Us

Gainwell Commosales Private Limited operates as the authorized Cat® dealer in North and East India and Bhutan. Gainwell® sells and services an extensive range of Cat equipment for construction, mining and several infrastructure applications. The enduring partnership of 73 years with Caterpillar provides Gainwell® with the desired competitive edge; one that is entirely customer centric.

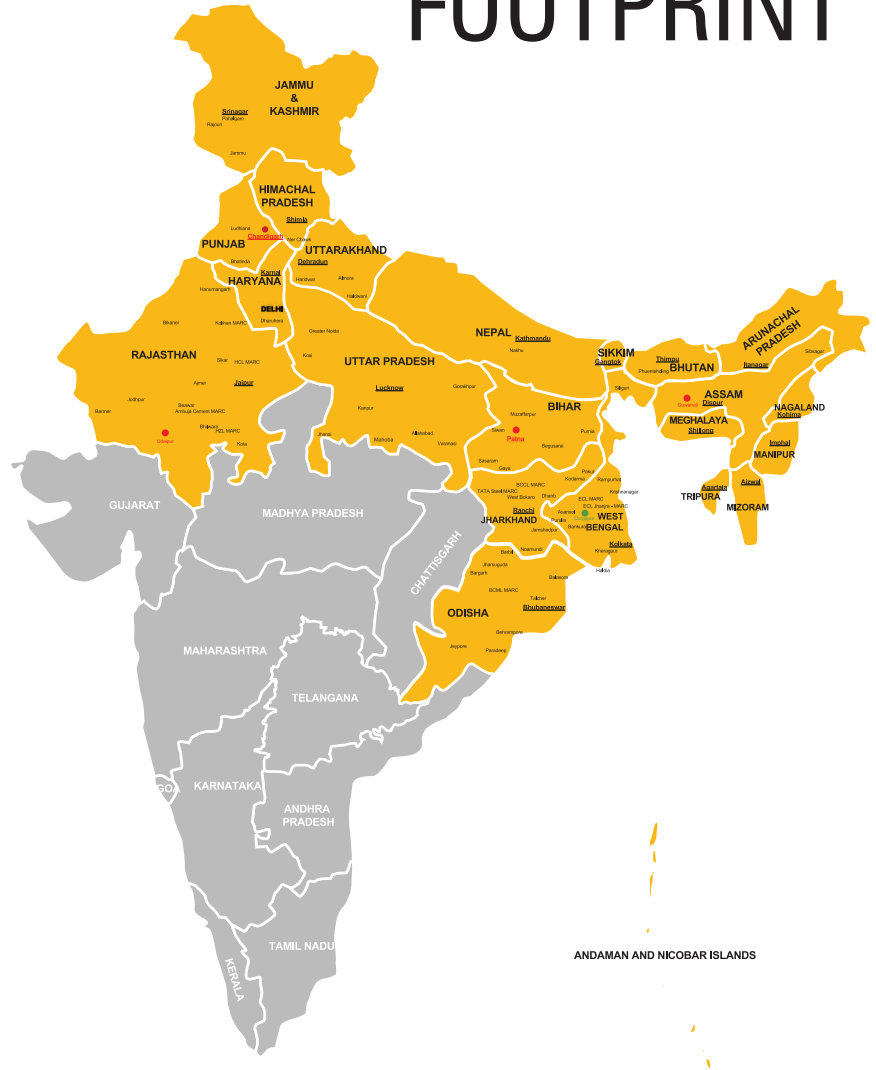
Gainwell® is also responsible for sales and service of Hindustan – a Caterpillar brand for North and East of India and Bhutan. Hindustan 2021 Z bar loader is a widely popular brand of wheel loader in India used in heavy construction. Gainwell® has also entered into tie up with SITECH for the GPS based connected site solutions.

Along with these machinery offerings, Gainwell® has brought in a world class generator sets brand FG Wilson to cater essential power for critical applications such as hospitals, airports, data centres, telecommunication networks as well as residential properties and factories. This product range is designed exclusively for the Indian market and is available from 10 – 200 KVA. Designed to meet local legislative requirements for both emissions and noise levels, the FG Wilson range provides outstanding value for money, guaranteeing maximum efficiency & productivity.

Gainwell® is spread across four territories with a footprint that spans over 80 branches, area offices, retail outlets, workshops and rental outlets. Gainwell® footprints and other Caterpillar authorised network ensures that we are able to serve our customers anywhere in the country.

As a part of its values driven culture, Gainwell® is committed to good corporate citizenship and believes that as an organization it has a responsibility towards society, community and environment. The various CSR initiatives are carried out continuously – aimed at touching lives and making a difference.

FOOTPRINT



Gainwell Commosales Private Limited
(Formerly Tractors India Private Limited)

MORE DETAILS CONTACT YOUR NEAREST BRANCH OR

E MAIL: marketing@gainwellindia.com, MISSED CALL NO. : 0808 111 2244

TOLLFREE NO. : 1800 419 3356

WEBSITE: www.gainwellindia.com

