



FB125-2A

Prime rating

Meets latest India CPCBI as per G.S.R 771(E) dated 11/12/2013 and its further amendments.

Meets CPCB / MOEF norms as per G.S.R 371(T) dated 17/05/2002 and its further amendments.



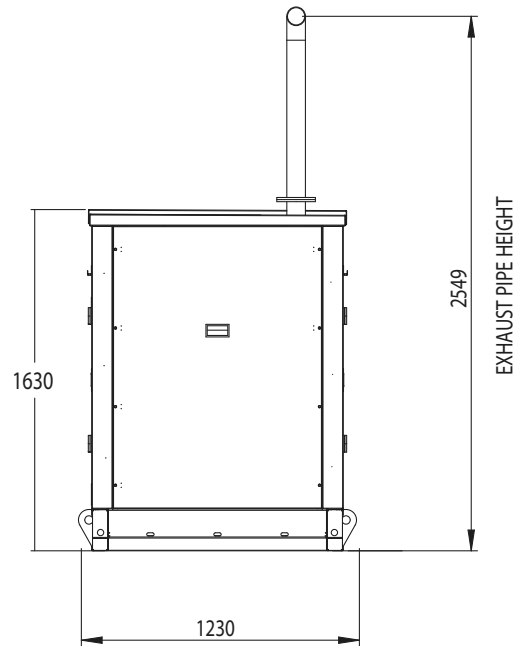
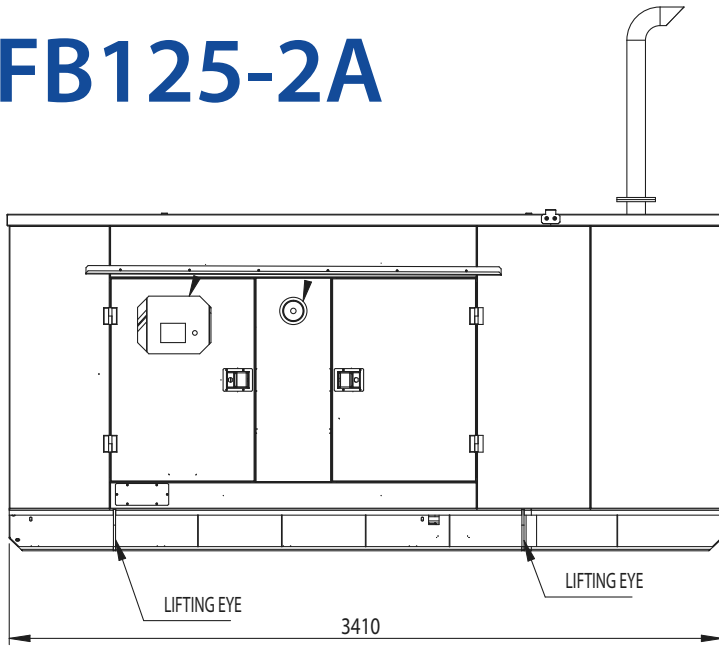
Genset Technical Data		Alternator Technical Data	
Genset Rating (kVA)	125	Alternator Make	Leroy Somer
No of Phases	3	No of Bearings	1
Power Factor	0.8	Alternator model	LSAP 44.3 D
Voltage (V)	415/230	Alternator rating	125
Frequency (Hz)	50	Class of insulation	H
Current (A)	175	Coupling details	SAE 10
Controller Type	SEDEMAC GC1202	Voltage Variation (%)	1
Starting System	12V / 90 AH	Rated Full Load Current (A)	175
Genset Weight (kg)	1680	Fuel & Oil Systems Technical Data	
Noise @ 75% load (dBA)	< 75 @ 1m (As per ISO 8528)	Fuel System	Rotary FIP
Genset Dimensions (LxWxH) (mm)	3410X1230X1630	Type Of Fuel	Diesel
Battery Type	Lead Acid	Genset Fuel Tank Capacity (l)	260
Circuit Breaker Rating (A)	200	Fuel Consumption - @ 100% Load (l/hr)*	28.8
Engine Technical Data		Fuel Consumption - @ 75% Load (l/hr)*	22.4
Engine Model	AL6DTIDG6	Fuel Consumption - @ 50% Load (l/hr)*	15.7
Engine Speed (rpm)	1500	Fuel Consumption Tolerance	5%
Engine Volume (l)	5.76	Lube Oil change period (hrs)	600 Hrs. or 1 Year
Rated Power (kW)	100	Oil Type	15W40
No. of cylinder	6	Oil Capacity (l)	18
Bore (mm)	104	Oil Consumption @100% load	< 0.1% of FC
Stroke (mm)	113		
Compression Ratio	16.5 : 1		
Aspiration	TA		
Cooling System	Liquid Cooled		
Cooling System Capacity (l)	22.5		
Governing	Electronic A0		

*sp.gr of fuel - 0.835kg/litre

Standard operating conditions as per ISO3046 / ISO8528

Prime Rating as per ISO8528

FB125-2A



FG Wilson manufactures product in the following locations:

Brazil • China • India

With headquarters in Northern Ireland, FG Wilson operates through a Global Dealer Network. To contact your local Sales Office please visit the FG Wilson website at www.fgwilson.com.

FG Wilson is a trading name of Caterpillar (NI) Limited.

In line with our policy of continuous product development, we reserve the right to change specification without notice.