



# FB15-2SA

## Prime rating

Meets latest India CPCBlI as per G.S.R 771(E) dated 11/12/2013 and its further amendments.

Meets CPCB / MOEF norms as per G.S.R 371(T) dated 17/05/2002 and its further amendments.



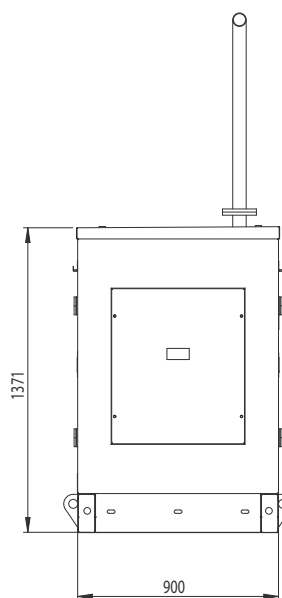
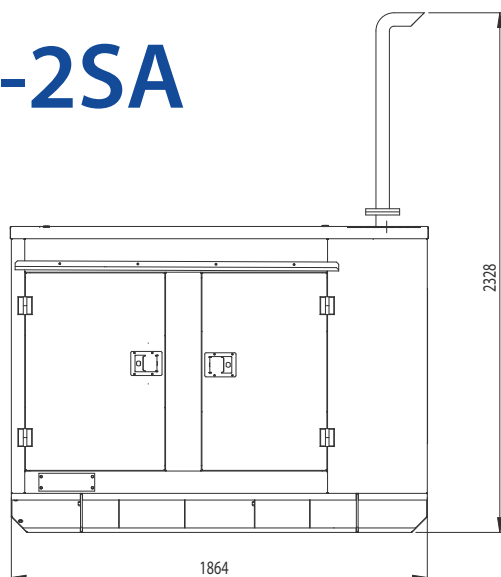
Genset Technical Data		Alternator Technical Data	
Genset Rating (kVA)	15	Alternator Make	Leroy Somer
No of Phases	1	No of Bearings	1
Power Factor	0.8	Alternator model	LSAP 42.3 A
Voltage (V)	230	Alternator rating	15
Frequency (Hz)	50	Class of insulation	H
Current (A)	65	Coupling details	SAE 10
Controller Type	SEDEMAC GC902	Voltage Variation (%)	1
Starting System	12V / 90 AH	Rated Full Load Current (A)	65
Genset Weight (kg)	825		
Noise @ 75% load (dBA)	< 75 @ 1m (As per ISO 8528)	Fuel & Oil Systems Technical Data	
Genset Dimensions (LxWxH) (mm)	1864X900X1371	Fuel System	Inline FIP
Battery Type	Lead Acid	Type Of Fuel	Diesel
Circuit Breaker Rating (A)	80	Genset Fuel Tank Capacity (l)	45
		Fuel Consumption - @ 100% Load (l/hr)*	4.5
		Fuel Consumption - @ 75% Load (l/hr)*	3.4
		Fuel Consumption - @ 50% Load (l/hr)*	2.4
		Fuel Consumption Tolerance	5%
		Lube Oil change period (hrs)	600 Hrs. or 1 Year
		Oil Type	15W40
		Oil Capacity (l)	6.5
		Oil Consumption @100% load	< 0.1% of FC
Engine Technical Data			
Engine Model	AL2CDG1		
Engine Speed (rpm)	1500		
Engine Volume (l)	1.92		
Rated Power (kW)	12		
No. of cylinder	2		
Bore (mm)	104		
Stroke (mm)	113		
Compression Ratio	17.5 : 1		
Aspiration	NA		
Cooling System	Liquid Cooled		
Cooling System Capacity (l)	8		
Governing	Mechanical A1		

\*sp.gr of fuel - 0.835kg/litre

Standard operating conditions as per ISO3046 / ISO8528

Prime Rating as per ISO8528

# FB15-2SA



## FG Wilson manufactures product in the following locations:

Brazil • China • India

With headquarters in Northern Ireland, FG Wilson operates through a Global Dealer Network. To contact your local Sales Office please visit the FG Wilson website at [www.fgwilson.com](http://www.fgwilson.com).

FG Wilson is a trading name of Caterpillar (NI) Limited.

In line with our policy of continuous product development, we reserve the right to change specification without notice.