



FB82.5-2A

Prime rating

Meets latest India CPCBlI as per G.S.R 771(E) dated 11/12/2013 and its further amendments.

Meets CPCB / MOEF norms as per G.S.R 371(T) dated 17/05/2002 and its further amendments.



Genset Technical Data

Genset Rating (kVA)	82.5
No of Phases	3
Power Factor	0.8
Voltage (V)	415/230
Frequency (Hz)	50
Current (A)	115
Controller Type	SEDEMAC GC1202
Starting System	12V / 90 AH
Genset Weight (kg)	1560
Noise @ 75% load (dBA)	< 75 @ 1m (As per ISO 8528)
Genset Dimensions (LxWxH) (mm)	3200X1090X1438
Battery Type	Lead Acid
Circuit Breaker Rating (A)	125

Engine Technical Data

Engine Model	AL4CTIDG3
Engine Speed (rpm)	1500
Engine Volume (l)	3.84
Rated Power (kW)	66
No. of cylinder	4
Bore (mm)	104
Stroke (mm)	113
Compression Ratio	16.5 : 1
Aspiration	TA
Cooling System	Liquid Cooled
Cooling System Capacity (l)	15.5
Governing	Electronic A0

Alternator Technical Data

Alternator Make	Leroy Somer
No of Bearings	1
Alternator model	LSAP 44.3 B2
Alternator rating	82.5
Class of insulation	H
Coupling details	SAE 10
Voltage Variation (%)	1
Rated Full Load Current (A)	115

Fuel & Oil Systems Technical Data

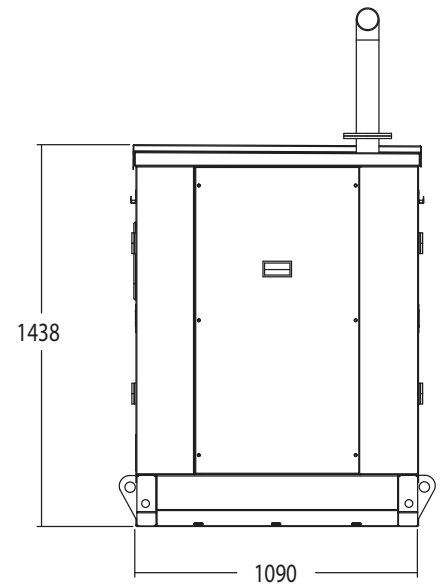
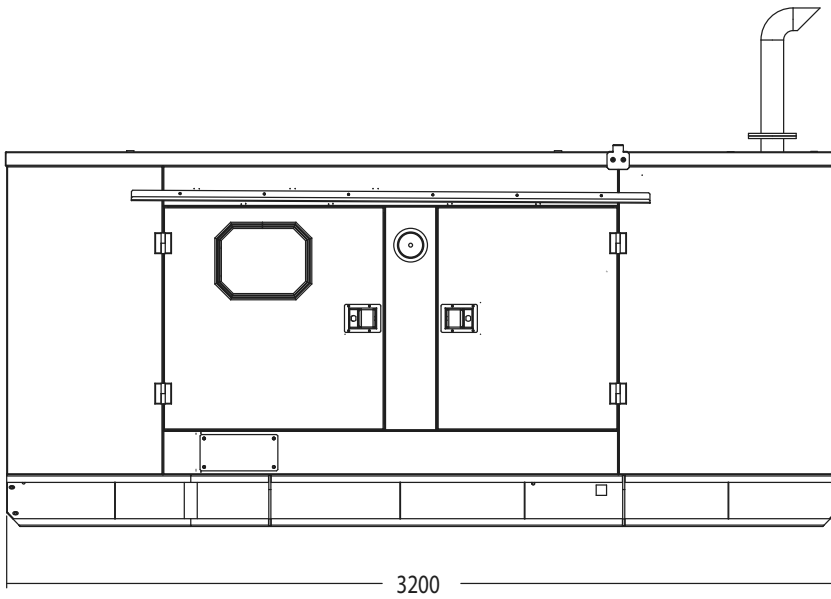
Fuel System	Rotary FIP
Type Of Fuel	Diesel
Genset Fuel Tank Capacity (l)	250
Fuel Consumption - @ 100% Load (l/hr)*	19.8
Fuel Consumption - @ 75% Load (l/hr)*	15.5
Fuel Consumption - @ 50% Load (l/hr)*	11.4
Fuel Consumption Tolerance	5%
Lube Oil change period (hrs)	600 Hrs. or 1 Year
Oil Type	15W40
Oil Capacity (l)	9
Oil Consumption @100% load	< 0.1% of FC

*sp.gr of fuel - 0.835kg/litre

Standard operating conditions as per ISO3046 / ISO8528

Prime Rating as per ISO8528

FB82.5-2A



FG Wilson manufactures product in the following locations:

Brazil • China • India

With headquarters in Northern Ireland, FG Wilson operates through a Global Dealer Network. To contact your local Sales Office please visit the FG Wilson website at www.fgwilson.com.

FG Wilson is a trading name of Caterpillar (NI) Limited.

In line with our policy of continuous product development, we reserve the right to change specification without notice.