

2021F

Wheel Loader

HINDUSTAN

**BUILT TO LAST.
TRUSTED BY
GENERATIONS.**



ROPS / FOPS
CERTIFIED CABIN



HIGHLY RELIABLE & FUEL
EFFICIENT CEV V ENGINE



HIGH HYDRAULIC FLOW
QUICK CYCLE TIME



HIGHER PRODUCTIVITY WITH
BEST LIFT HEIGHT



LOWEST OWNING &
OPERATING COST

2021F

Engine Model*	ASHOK LEYLAND, H5C513323
Rated power (gross)	98 kW (133hp) @ 2300 RPM
Bucket Capacity	1.53 - 3.0 m ³
Payload	3,210 kg
Operating Weight	11,637 kg

*Engine meets BHARAT STAGE CEV V emission standards

SPECIFICATION

Engine

Make & Model	Ashok Leyland / H6C513323, Bharat Stage V (CEV) Complaint Engine
Type	4 Stroke, 6 Cylinder, Water cooled & turbocharged
Gross Power	98 kW (133 hp) @ 2300 rpm
Max Torque	475 Nm @ 1400 - 1900 rpm

Transmission

Make	Aytec - TT2221-1
Type	Powershift transmission with mechanically actuated hydraulic control
Travelling speed	Forward : 1st Gear 7.0 kmph; 2nd Gear 24.3 kmph Reverse : 1st Gear 9.5 kmph

Drive axles

Type	4 WD with Conventional heavy duty differential with planetary hub reduction
Rear axle oscillation	+/- 11 deg

Tire

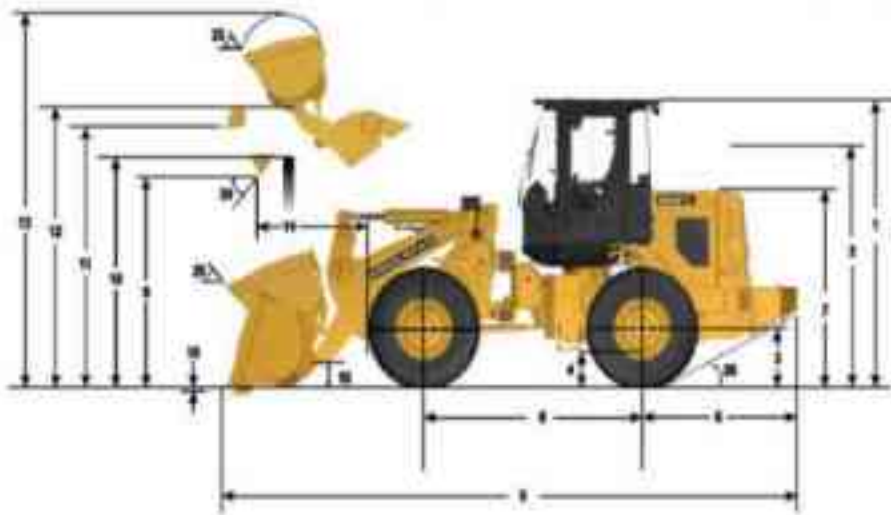
Standard size	14.00 x 25 - 20 PR E3/L3
---------------	--------------------------

Brakes

Service brake	4 Wheel air actuated brakes with separate circuit for front & rear
Parking brake	Mechanically expanding shoe brake mounted at transmission output shaft
Secondary brake	Uses Service brake. Applies automatically under low air pressure and can also be applied manually
Emergency brake	4 Wheel air actuated brakes with one circuit for front & rear

Operating Dimensions

1 Height : ground to cab	3207 mm	12 Height : bucket pin	3828 mm
2 Height : ground to exhaust	2774 mm	15 Carry height : bucket pin	460 mm
3 Height : ground to axle center	634 mm	18 Width : tread centre	1926 mm
4 Height : ground clearance	367 mm	20 Width : over tires	2362 mm
6 Length : rear axle to bumper	1907 mm	21 Turning radius : outside of tires	5698 mm
8 Length : wheel base	2698 mm	22 Turning radius : inside of tires	2365 mm
10 Clearance : load over height	3453 mm	23 Rack angle at full lift	58 deg
11 Clearance : level bucket	3553 mm	24 Dump angle at full lift	50 deg
		25 Rack angle at carry	50 deg
		26 Departure angle	27 deg
		27 Articulation angle	40 deg



Hydraulic System

Tandem gear pump, Two spool hydraulic control valve

Loader control	Single lever, Hydraulic joy stick
Lift arm operation	Raise, hold, lower & float
Bucket operations	Rollback, hold & dump
Loader system pressure	213 bar
Steering system pressure	155 bar

ROPS / FOPS Certified Cabin

Cab is now ROPS/FOPS Certified. Spacious, Ergonomic and comfortable cab with low sound level and all around visibility is the standard features for all machines. HVAC Option available.

Electrical

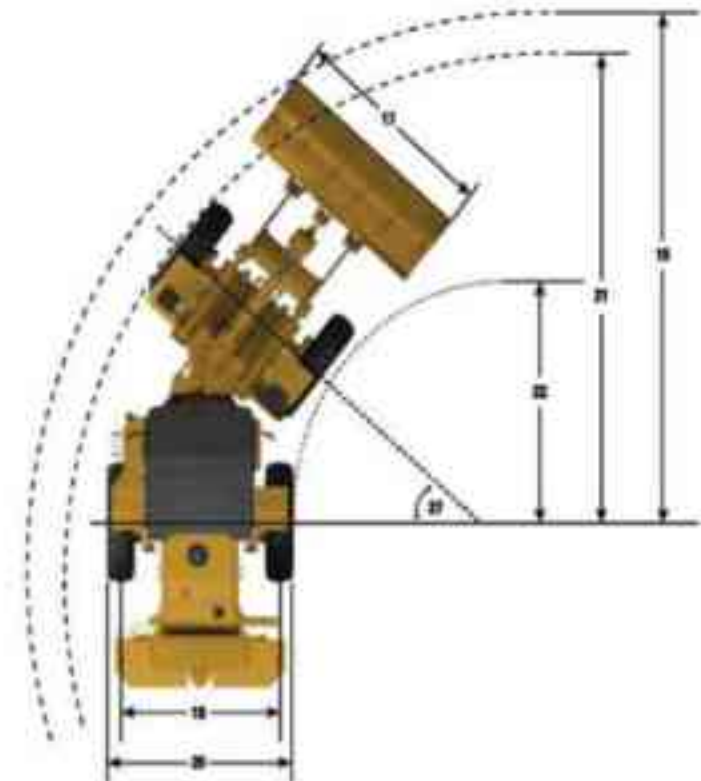
System includes 55A or 85A alternator, 24V with two 12V, 130 ampere-hour batteries.

Service Refill capacities

Fuel Tank	181 L
Diesel Exhaust Fluid (DEF) Tank	24 L
Cooling System	23 L
Engine crankcase	15 L
Transmission	41 L
Front Axle Oil	20 L
Rear Axle Oil	20 L
Hydraulic system (including tank)	127 L

- Dimensions listed are configured with standard and heavy counterweights, 80 kg (176 lb) operator and 14 x 25 tires at a recommended pressure of 3.8 bar (55 psi) in the front tires and 3.1 bar (45 psi) in the rear tires.

Parameters	Unit	General purpose			
		Light material	Rock	Wild on tooth	Wild on tooth
Bucket size	cum	1.7	2.0	3.0	1.7
5 Length : Over all	mm	7133	7197	7435	7354
9 Clearance : bucket at 45°	mm	2879	2828	2648	2738
13 Height : over all	mm	4890	4915	5209	4848
14 Reach : bucket at 45°	mm	1283	1299	1449	1426
16 Dig depth	mm	77	77	77	82
17 Width, bucket	mm	2550	2700	2900	2550
19 Turning radius, bucket at carry	mm	5823	5708	5821	5887



©2025 Caterpillar India Pvt. Ltd. All Rights Reserved.

Materials and Specifications are subject to change without notice. Featured machines in photos may include optional equipment. See your Cat dealer for available options.

Hindustan, respective logos, trade dress as well as corporate and product identity used herein, are trademarks of Caterpillar India Pvt. Ltd. and may not be used without permission.

Dealer info: