



# FB100-4A

## Prime rating

Meets latest India CPCB emission norms (CPCBIV+) and noise norms



Genset Technical Data		Alternator Technical Data	
Genset Rating (kVA)	100	Alternator Make	Leroy Somer
No of Phases	3	No of Bearings	1
Power Factor	0.8	Alternator model	LSAP 44.3 C
Voltage (V)	415/230	Alternator rating	100
Frequency (Hz)	50	Class of insulation	H
Current (A)	139	Coupling details	SAE 3/10
Controller Type	SEDEMAC GC1206	Voltage Variation (%)	1
Starting System	12V / 90 AH	Rated Full Load Current (A)	140
Genset Weight (kg)	1650	Fuel & Oil Systems Technical Data	
Noise @ 75% load (dBA)	< 75 @ 1m (As per ISO 8528)	Fuel System	CRS
Genset Dimensions (LxWxH) (mm)	3100 x 1300 x 1600	Type Of Fuel	Diesel
Battery Type	Lead Acid	Genset Fuel Tank Capacity (l)	250
Circuit Breaker Rating (A)	160	Fuel Consumption - @ 75% Load (l/hr)*	17
Engine Technical Data		Lube Oil change period (hrs)	750 Hrs. or 1 Year
Engine Model	H4G4DE100	Oil Type	10W30 CK4
Engine Speed (rpm)	1500	Oil Capacity (l)	12
Engine Volume (l)	4	Oil Consumption @100% load	< 0.1% of FC
Gross Rated Power (kW/hp)	92/122		
No. of cylinder	6		
Bore (mm)	104		
Stroke (mm)	118		
Compression Ratio	16.5 : 1		
Aspiration	TA		
Cooling System	Liquid Cooled		
Cooling System Capacity (l)	22.5		
Governing	Electronic A0		

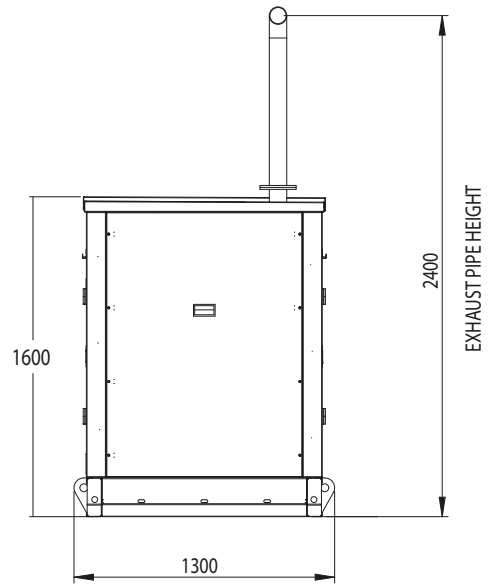
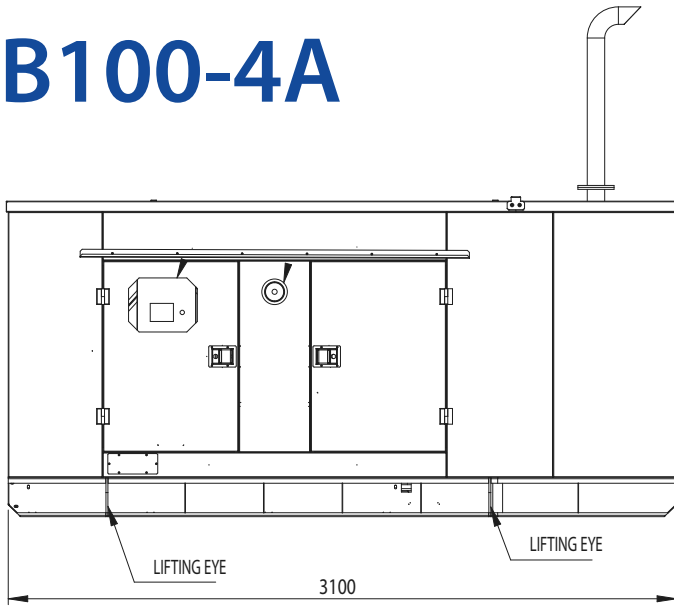
Ratings in accordance with ISO 8528, ISO 3046, BS 5514 under standard reference conditions.

\* With Diesel specific gravity of 0.8355 at NTP and tolerance of +5%

Standard Reference Conditions: 27 degC Air inlet temp., 100kpa( 750mm of Hg) atmospheric conditions

Data is subject to modification based on final CPCB certification

# FB100-4A



Caterpillar (NI) Limited is the manufacturer of FG Wilson brand diesel generating sets, and our facilities manufacture products in the following locations:  
Brazil • China • India  
With headquarters in Northern Ireland, FG Wilson products are distributed through a Global Dealer Network.  
To contact your local Sales Office, please visit the FG Wilson website at [www.fgwilson.com](http://www.fgwilson.com)

In line with our policy of continuous product development, we reserve the right to change specification without notice.