



FB58.5-4A

Prime rating

Meets latest India CPCB emission norms (CPCBIV+) and noise norms



Genset Technical Data

Genset Rating (kVA)	58.5
No of Phases	3
Power Factor	0.8
Voltage (V)	415/230
Frequency (Hz)	50
Current (A)	82
Controller Type	SEDEMAC GC1206
Starting System	12V / 90 AH
Genset Weight (kg)	1320
Noise @ 75% load (dBA)	< 75 @ 1m (As per ISO 8528)
Genset Dimensions (LxWxH) (mm)	2800 x 1080 x 1445
Battery Type	Lead Acid
Circuit Breaker Rating (A)	100

Engine Technical Data

Engine Model	H4G4DE60
Engine Speed (rpm)	1500
Engine Volume (l)	3.84
Gross Rated Power (kW/hp)	54/72
No. of cylinder	4
Bore (mm)	104
Stroke (mm)	113
Compression Ratio	16.5 : 1
Aspiration	TA
Cooling System	Liquid Cooled
Cooling System Capacity (l)	13.5
Governing	Electronic A0

Alternator Technical Data

Alternator Make	Leroy Somer
No of Bearings	1
Alternator model	LSAP 42.3 K
Alternator rating	62.5
Class of insulation	H
Coupling details	SAE 3/10
Voltage Variation (%)	1
Rated Full Load Current (A)	87

Fuel & Oil Systems Technical Data

Fuel System	CRS
Type Of Fuel	Diesel
Genset Fuel Tank Capacity (l)	155
Fuel Consumption - @ 75% Load (l/hr)*	10.5
Lube Oil change period (hrs)	750 Hrs. or 1 Year
Oil Type	10W30 CK4
Oil Capacity (l)	8.5
Oil Consumption @100% load	< 0.1% of FC

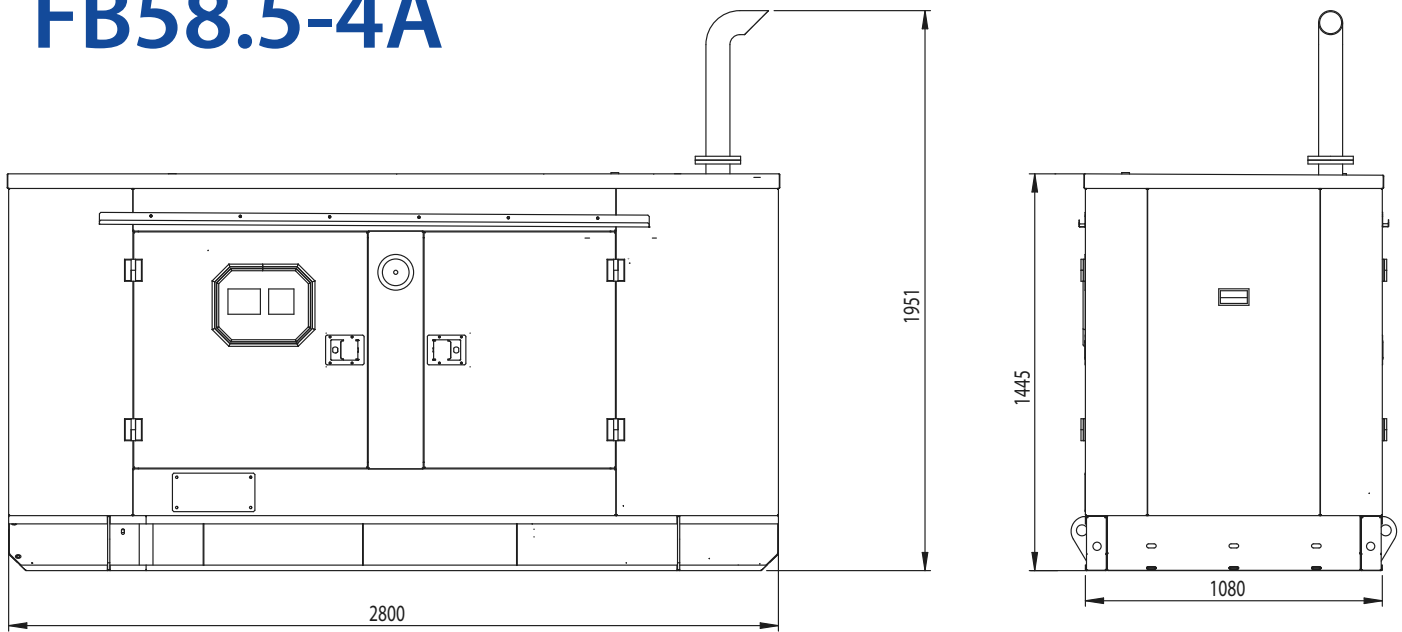
Ratings in accordance with ISO 8528, ISO 3046, BS 5514 under standard reference conditions

* With Diesel specific gravity of 0.8355 at NTP and tolerance of +5%

Standard Reference Conditions: 27 degC Air inlet temp., 100kpa(750mm of Hg) atmospheric conditions

Data is subject to modification based on final CPCB certification

FB58.5-4A



Caterpillar (NI) Limited is the manufacturer of FG Wilson brand diesel generating sets, and our facilities manufacture products in the following locations:
Brazil • China • India
With headquarters in Northern Ireland, FG Wilson products are distributed through a Global Dealer Network.
To contact your local Sales Office, please visit the FG Wilson website at www.fgwilson.com

In line with our policy of continuous product development, we reserve the right to change specification without notice.