



FB82.5-4A

Prime rating

Meets latest India CPCB emission norms (CPCBIV+) and noise norms



Genset Technical Data		Alternator Technical Data	
Genset Rating (kVA)	82.5	Alternator Make	Leroy Somer
No of Phases	3	No of Bearings	1
Power Factor	0.8	Alternator model	LSAP 44.3 B2
Voltage (V)	415/230	Alternator rating	82.5
Frequency (Hz)	50	Class of insulation	H
Current (A)	115	Coupling details	SAE 3/10
Controller Type	SEDEMAC GC1206	Voltage Variation (%)	1
Starting System	12V / 90 AH	Rated Full Load Current (A)	115
Genset Weight (kg)	1650	Fuel & Oil Systems Technical Data	
Noise @ 75% load (dBA)	< 75 @ 1m (As per ISO 8528)	Fuel System	CRS
Genset Dimensions (LxWxH) (mm)	3100 x 1300 x 1600	Type Of Fuel	Diesel
Battery Type	Lead Acid	Genset Fuel Tank Capacity (l)	155
Circuit Breaker Rating (A)	125	Fuel Consumption - @ 75% Load (l/hr)*	14.7
Engine Technical Data		Lube Oil change period (hrs)	750 Hrs. or 1 Year
Engine Model	H4G4DE82	Oil Type	10W30 CK4
Engine Speed (rpm)	1500	Oil Capacity (l)	12
Engine Volume (l)	4	Oil Consumption @100% load	< 0.1% of FC
Gross Rated Power (kW/hp)	78/104		
No. of cylinder	4		
Bore (mm)	104		
Stroke (mm)	118		
Compression Ratio	16.5 : 1		
Aspiration	TA		
Cooling System	Liquid Cooled		
Cooling System Capacity (l)	15.5		
Governing	Electronic A0		

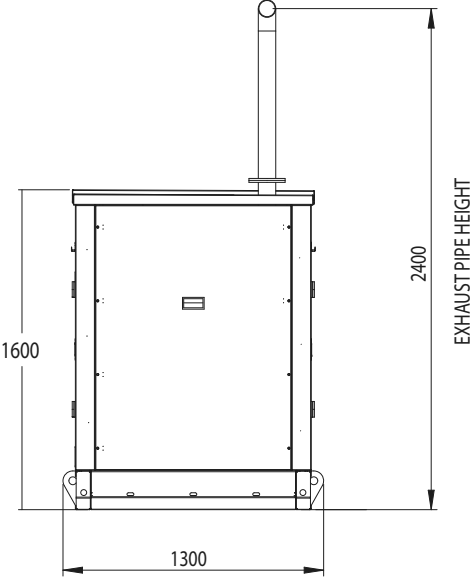
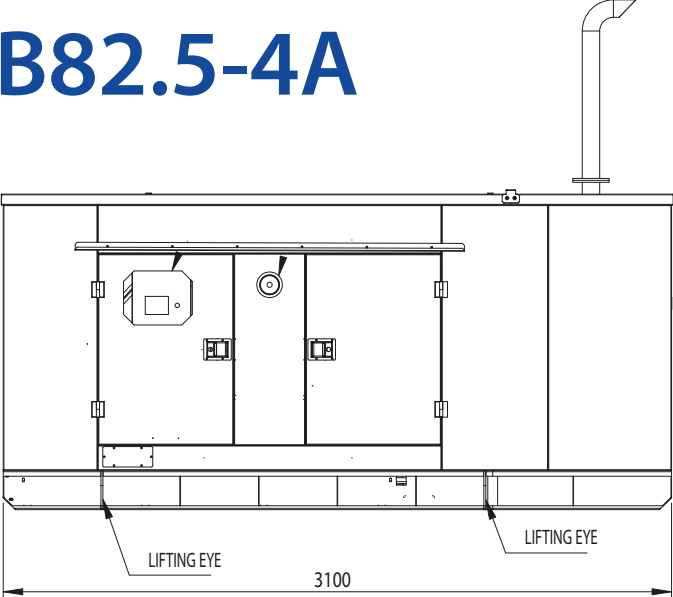
Ratings in accordance with ISO 8528, ISO 3046, BS 5514 under standard reference conditions

* With Diesel specific gravity of 0.8355 at NTP and tolerance of +5%

Data is subject to modification based on final CPCB certification

Meets latest India CPCB emission norms (CPCBIV+) and noise norms

FB82.5-4A



Caterpillar (NI) Limited is the manufacturer of FG Wilson brand diesel generating sets, and our facilities manufacture products in the following locations:
Brazil • China • India
With headquarters in Northern Ireland, FG Wilson products are distributed through a Global Dealer Network.
To contact your local Sales Office, please visit the FG Wilson website at www.fgwilson.com

In line with our policy of continuous product development, we reserve the right to change specification without notice.